



## Alfa-Sj-Wdc

Single-jet, Wet dial type  
water meter

AHS  
*alpe*  
HYDRAULIC SYSTEMS

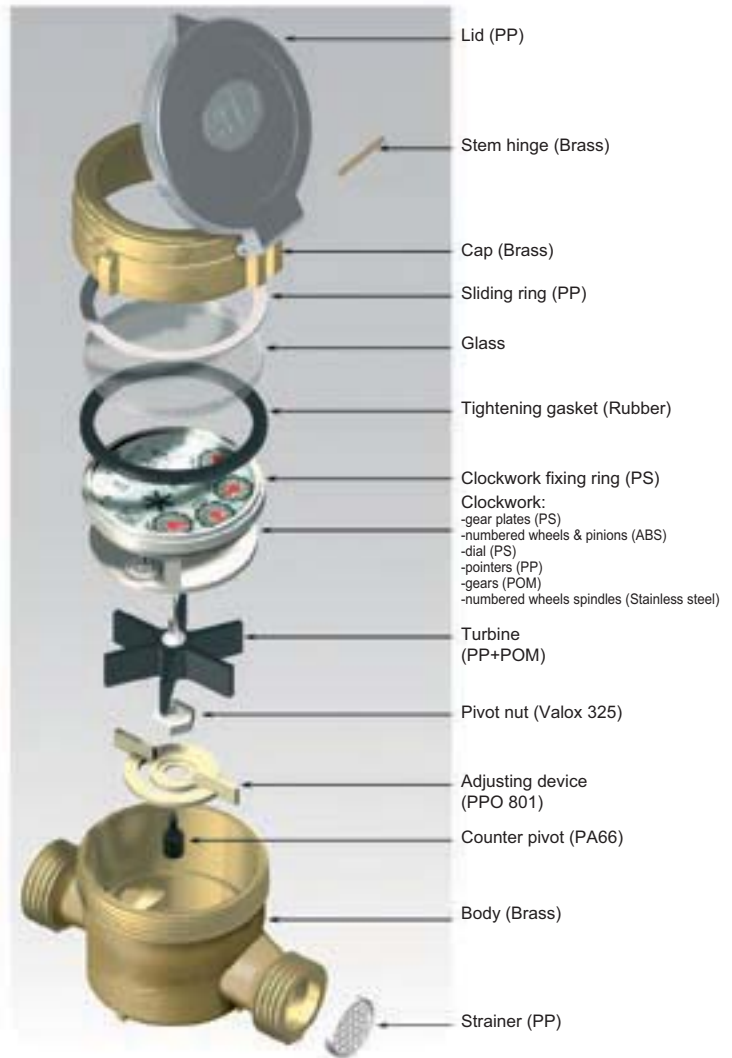
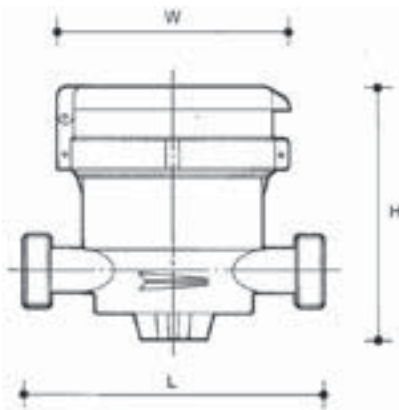
### Single jet, Wet dial type water meter

An inferential domestic meter for cold water, single-jet type. It has a wet dial with straight reading register working submerged in water.

This meter is suitable for operation in soft, clean and clear water. Very simple and rugged in construction, ALFA-SJ-WDC offers good performance at very low flow-rates and long trouble-free working life.

#### THE ALFA-SJ-WDC WATER METER OFFERS THE FOLLOWING ADVANTAGES:

- Easy reading on numbered rolls.
- Mechanical transmission movement assures maximum reliability.
- A long operating life is guaranteed by the robust construction, which provides maximum protection, thanks to the very low number of impeller revolutions per cubic metre of water flow and to the selection of high quality materials.
- Hydraulic performance: EEC approval 75/33 Class B.
- The meter can be installed on horizontal and vertical pipes.



#### TECHNICAL DATA AND DIMENSIONS (Class B)

<b>GAUGE</b>	mm	15	20
	inches	1/2"	3/4"
<b>Qmax</b>	m <sup>3</sup> /h	3	5
<b>Qn</b>	m <sup>3</sup> /h	1,5/1,25	2,5
<b>Qt</b>	l/h	120	200
<b>Qmin</b>	l/h	30/25	50
<b>PN</b>	bar	16	16
<b>Pressure loss (at Qmax)</b>	bar	<1	<1
<b>Sensitivity</b>	l/h	<10	<15
<b>Minimum reading</b>	lt	0,05	0,05
<b>Maximum reading</b>	m <sup>3</sup>	99.999	99.999
<b>Weight (with connections)</b>	Kg	0,86	1,06
<b>Length L</b>	mm	110	130
<b>Width W</b>	mm	90	90
<b>Height H</b>	mm	92	92

